

1" TO 3/4" IMPACT SOCKET COUPLER | E041503

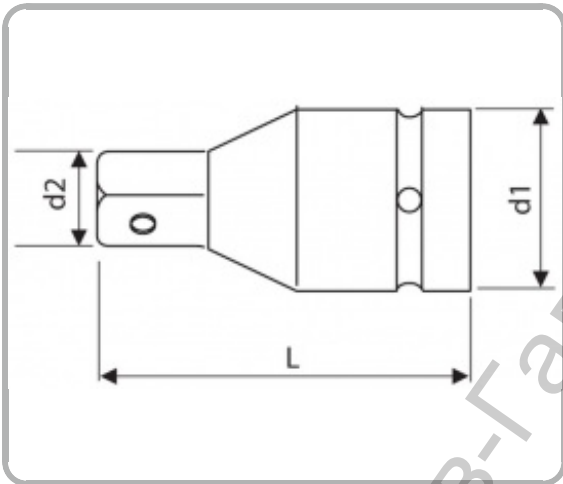


Description

- Designed specifically to withstand demands of impact machinery.
- Chrome-Molybdenum steel.
- For your safety, use Impact couplers with appropriate rings and pins.

Information

| | |
|---------------------|---------------|
| EAN | 3258950415031 |
| d1 [mm] | 54 |
| d2 [mm] | 25 |
| L [mm] | 75 |
| Conditioning | 1 |
| [g] | 800 |



Ташев-Галвинг ООД
www.tashev-galving.com